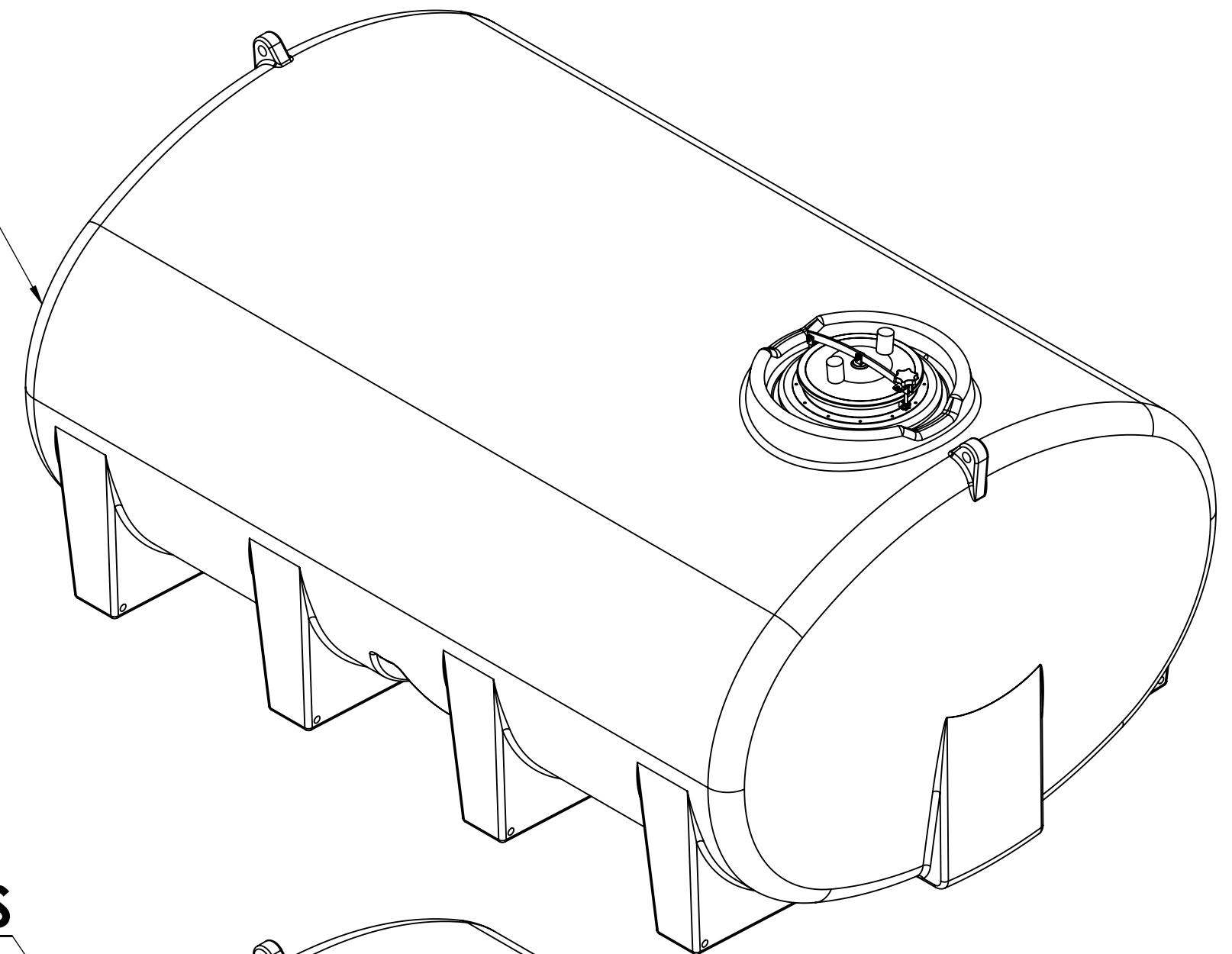
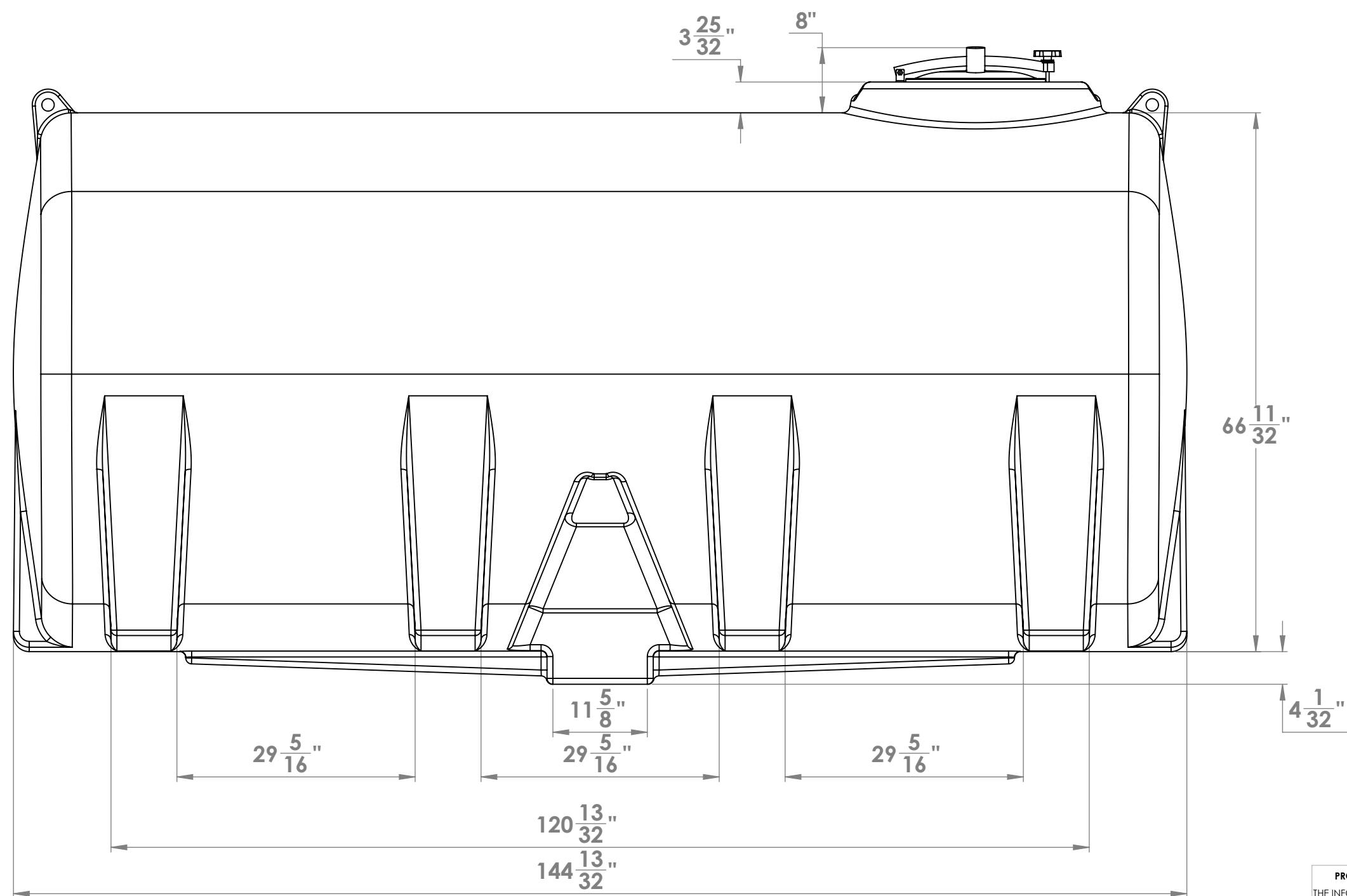
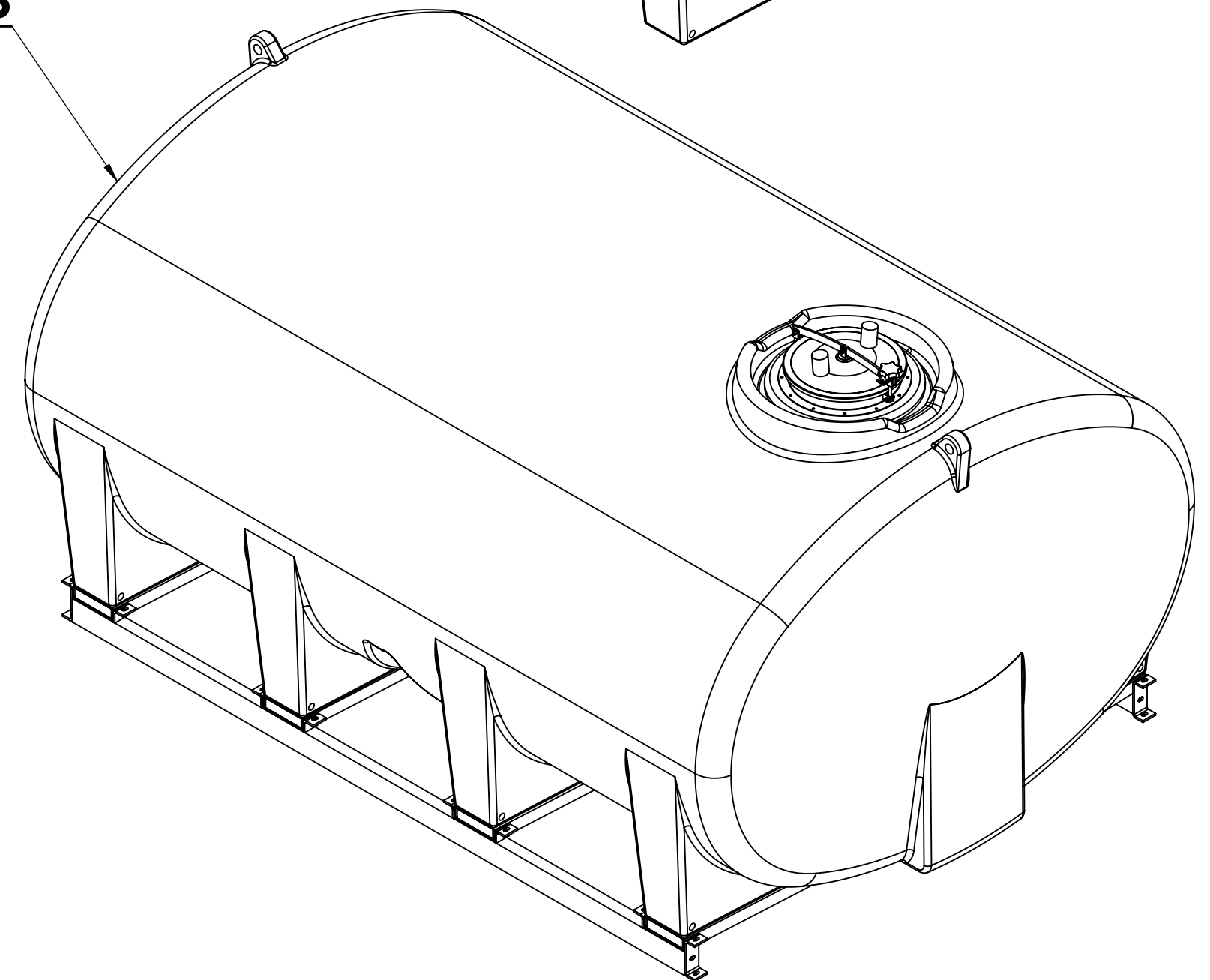


**ST2800LP**



**ST2800LS**



**NOTE: ALLOW +/- 1.5% SHRINKAGE**

PROPRIETARY AND CONFIDENTIAL  
THE INFORMATION CONTAINED IN THIS  
DRAWING IS THE SOLE PROPERTY OF  
**ENDURAPLAS LLC**. ANY  
REPRODUCTION IN PART OR AS A WHOLE  
WITHOUT THE WRITTEN PERMISSION OF  
**ENDURAPLAS LLC** IS PROHIBITED.

		UNLESS OTHERWISE SPECIFIED:		NAME	DATE	<b>ENDURAPLAS LLC</b>	
		DIMENSIONS ARE IN INCHES		DRAWN	DNS	5/14/13	TITLE:
		TOLERANCES:		CHECKED			<b>ST2800LP</b>
		FRACTIONAL ±		ENG APPR.			SIZE DWG. NO.
		ANGULAR: MATCH ±		MFG APPR.			<b>C</b>
		TWO PLACE DECIMAL ±		Q.A.			REV
		THREE PLACE DECIMAL ±		COMMENTS:			<b>1</b>
		INTERPRET GEOMETRIC TOLERANCING PER:					SCALE: 1:50 WEIGHT:
		MATERIAL					SHEET 1 OF 1
		FINISH					
NEXT ASSY	USED ON	APPLICATION					
		DO NOT SCALE DRAWING					