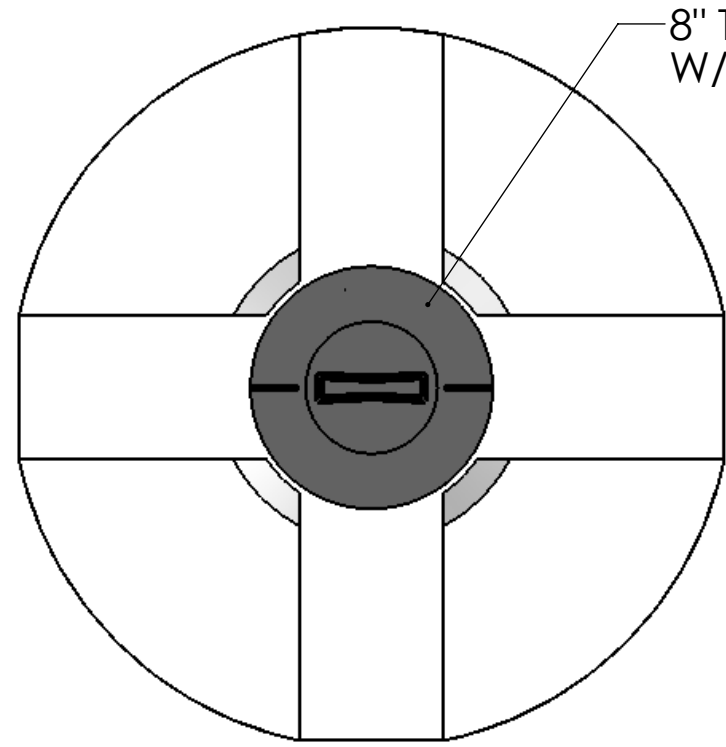


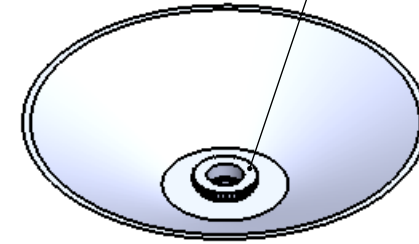
8 7 6 5 4 3 2 1

D
C
B
A

D
C
B
A



8" THREADED LID
W/BREATHER

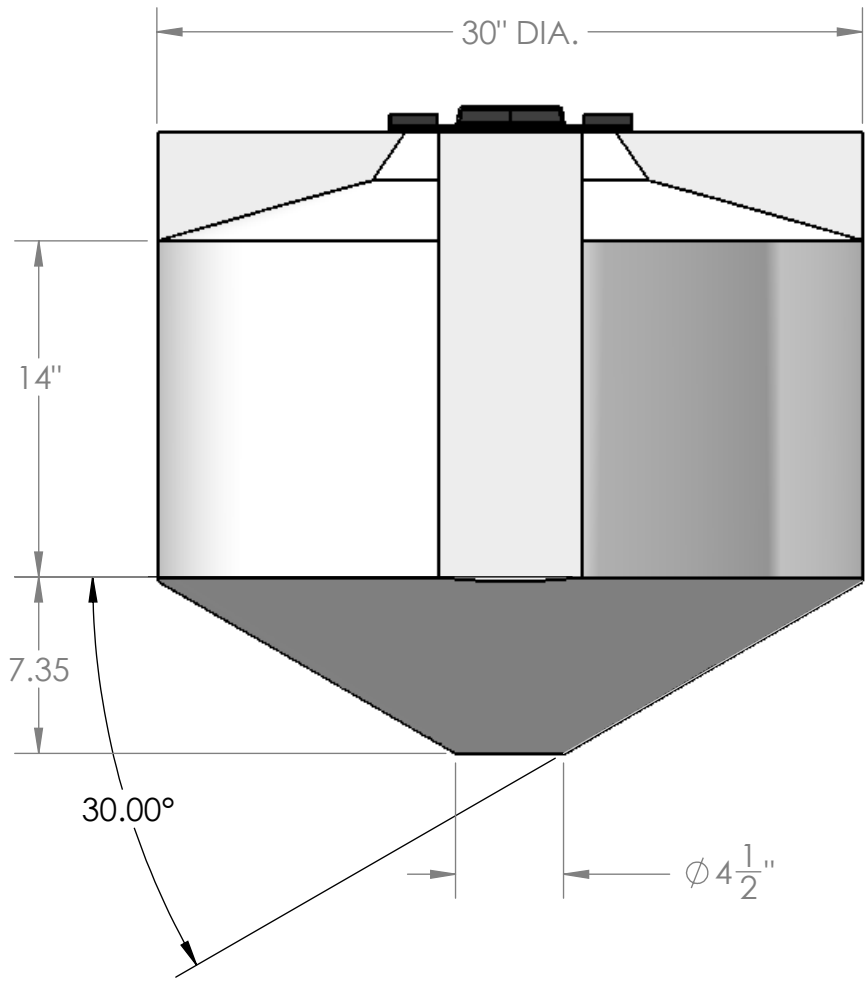
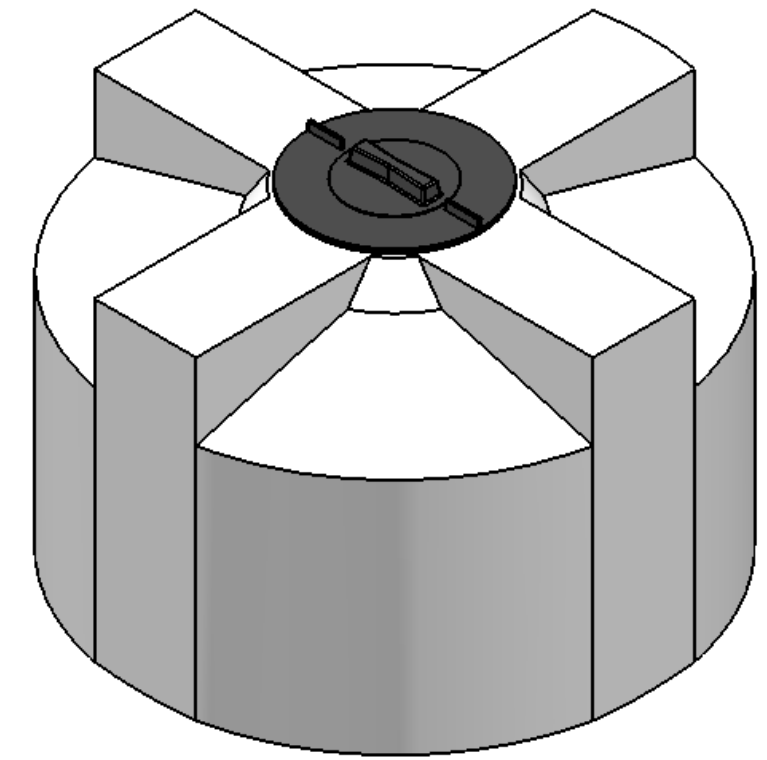


1 1/4" POLYPRO
W/EPDM GASKET
STANDARD

FITTINGS



1 1/4" BANJO FULL
DRAIN W/ EPDM
GASKET OPTIONAL
UPGRADE



NOTES:

1. MATERIAL: HDPE
2. WEIGHT: 20 LBS.
3. RATED: 2.0 S.G.

PROPRIETARY AND CONFIDENTIAL
THE INFORMATION CONTAINED IN THIS DRAWING IS THE SOLE PROPERTY OF <INSERT COMPANY NAME HERE>. ANY REPRODUCTION IN PART OR AS A WHOLE WITHOUT THE WRITTEN PERMISSION OF <INSERT COMPANY NAME HERE> IS PROHIBITED.

		UNLESS OTHERWISE SPECIFIED:		NAME	DATE	CUSTOM ROTO-MOLDING, INC.	
		DIMENSIONS ARE IN INCHES		DRAWN	EBW	6-20-12	TITLE: 55 GALLON CONE BOTTOM TANK
		TOLERANCES:		CHECKED			
		FRACTIONAL ±		ENG APPR.			
		ANGULAR: MACH ± BEND ±		MFG APPR.			
		TWO PLACE DECIMAL ±		Q.A.			SIZE DWG. NO. REV
		THREE PLACE DECIMAL ±		COMMENTS:			
		INTERPRET GEOMETRIC TOLERANCING PER:					SCALE: 1:12 WEIGHT:
		MATERIAL					SHEET 1 OF 1
		FINISH					
NEXT ASSY	USED ON	APPLICATION		DO NOT SCALE DRAWING			

8 7 6 5 4 3 2 1