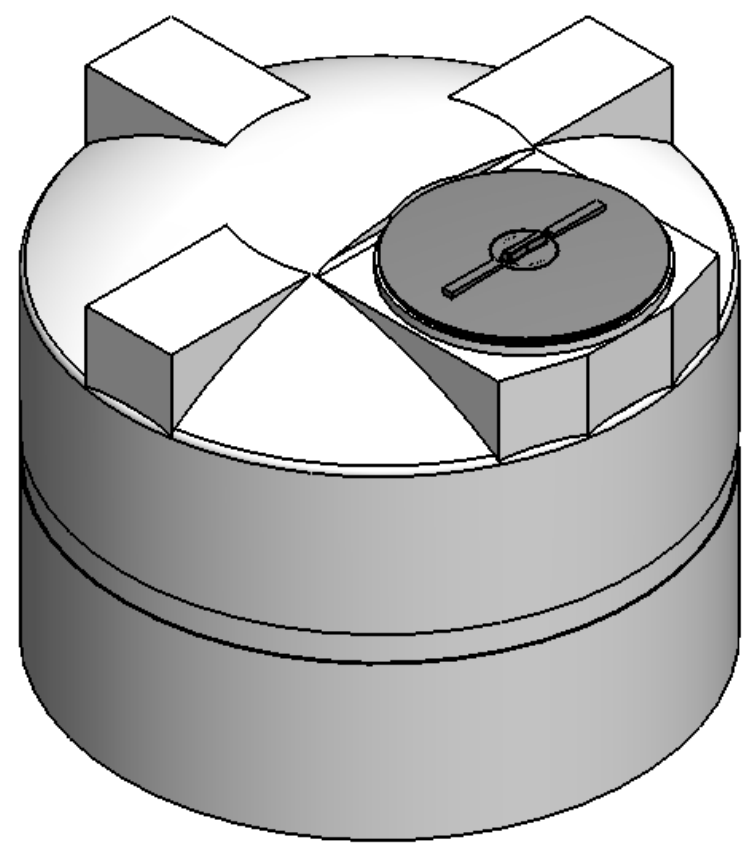
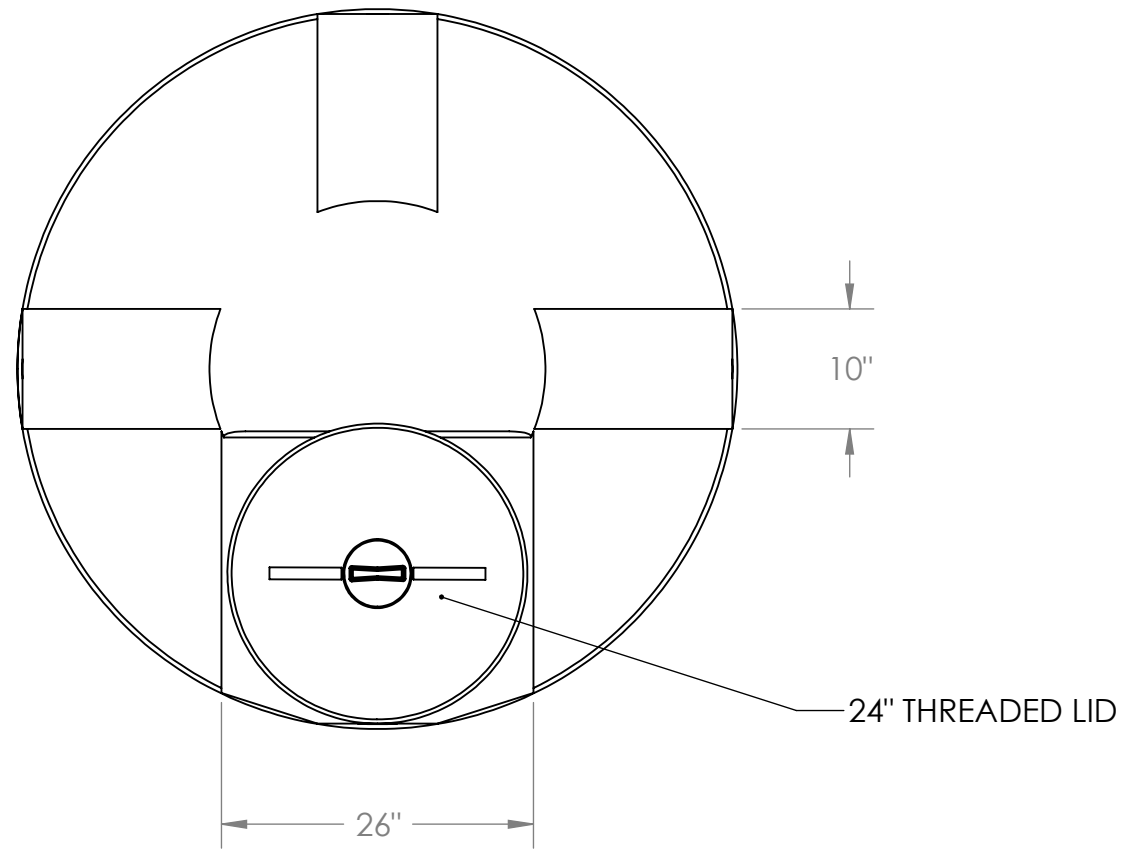


8 7 6 5 4 3 2 1

D

D

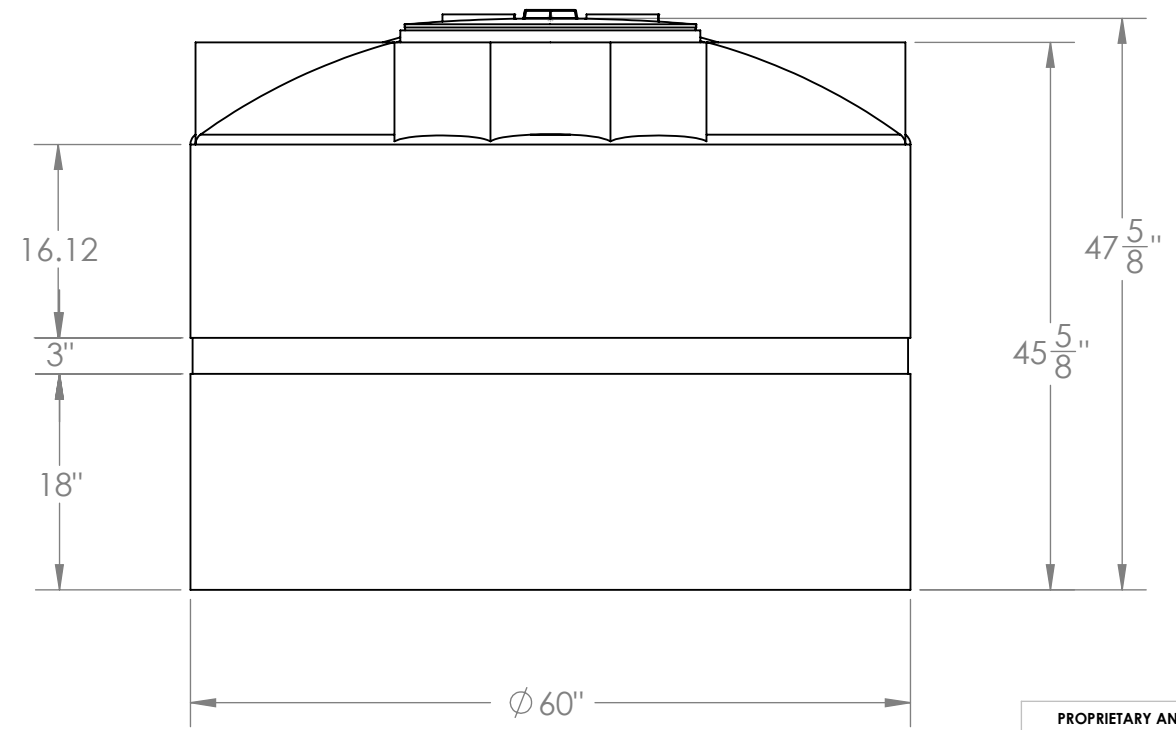


C

C

B

B



NOTES:

1. MATERIAL: POLYETHYLENE
2. WEIGHT: 90 LBS.
3. RATED: 2.0 S.G.

A

A

8 7 6 5 4 3 2 1

**PROPRIETARY AND CONFIDENTIAL**  
 THE INFORMATION CONTAINED IN THIS DRAWING IS THE SOLE PROPERTY OF <INSERT COMPANY NAME HERE>. ANY REPRODUCTION IN PART OR AS A WHOLE WITHOUT THE WRITTEN PERMISSION OF <INSERT COMPANY NAME HERE> IS PROHIBITED.

		UNLESS OTHERWISE SPECIFIED:		NAME	DATE	CUSTOM ROTO-MOLDING, INC.	
		DIMENSIONS ARE IN INCHES		DRAWN	EBW	8-18-10	TITLE: <b>525 GALLON VERTICAL TANK</b>
		TOLERANCES:		CHECKED			
		FRACTIONAL ±		ENG APPR.			
		ANGULAR: MACH ± BEND ±		MFG APPR.			
		TWO PLACE DECIMAL ±		Q.A.			SIZE DWG. NO. REV
		THREE PLACE DECIMAL ±		COMMENTS:			<b>B</b> 525 VT
		INTERPRET GEOMETRIC TOLERANCING PER:					SCALE: 1:24 WEIGHT: SHEET 1 OF 1
		MATERIAL					
NEXT ASSY		USED ON					
APPLICATION		DO NOT SCALE DRAWING					