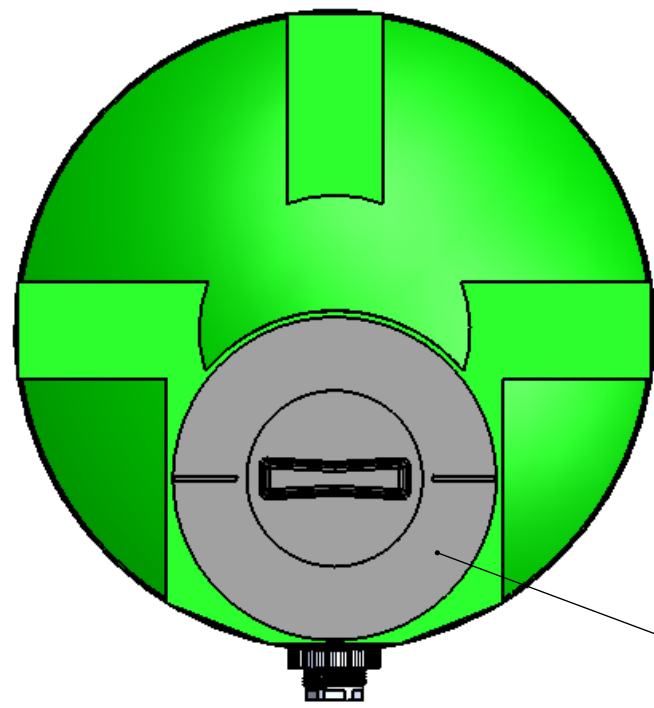


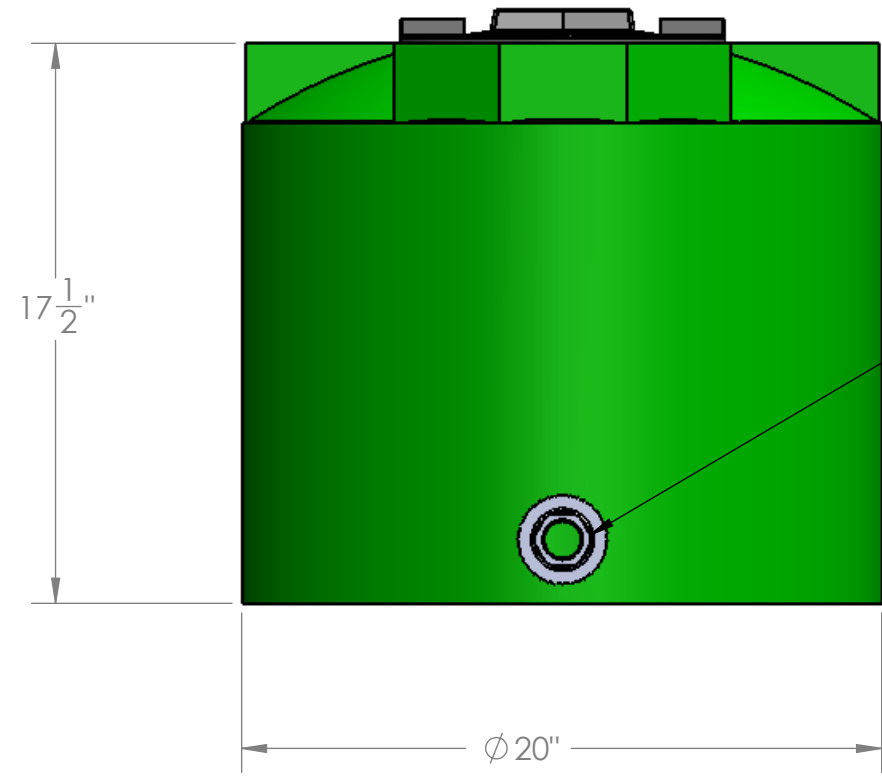
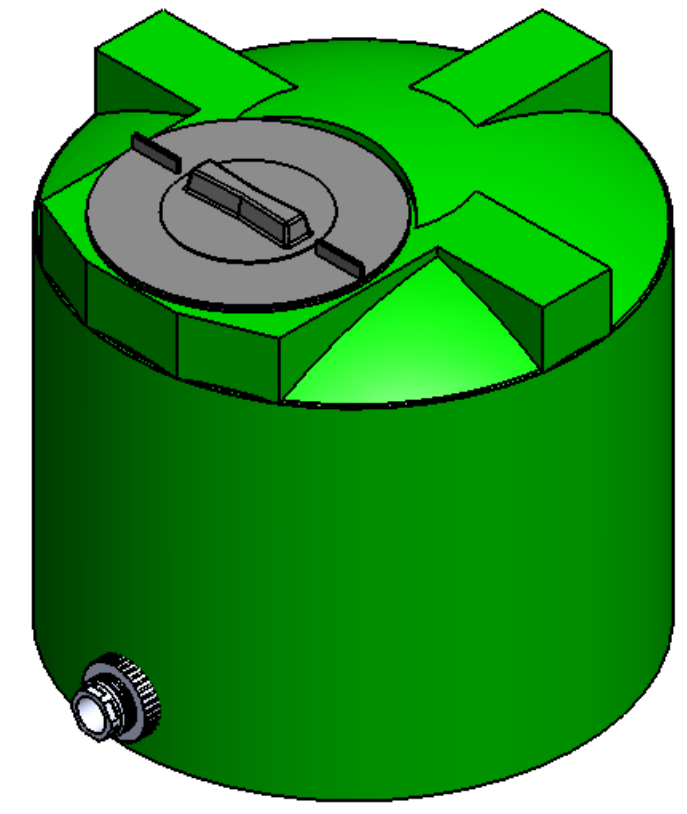
8 7 6 5 4 3 2 1

D  
C  
B  
A

D  
C  
B  
A



8" THREADED LID  
W/BREATHER



1" NPT  
POLYPRO FITTING

NOTES:

- 1. MATERIAL: HDPE
- 2. COLOR: DARK GREEN
- 3. WEIGHT: 10 LBS.

**PROPRIETARY AND CONFIDENTIAL**  
THE INFORMATION CONTAINED IN THIS DRAWING IS THE SOLE PROPERTY OF <INSERT COMPANY NAME HERE>. ANY REPRODUCTION IN PART OR AS A WHOLE WITHOUT THE WRITTEN PERMISSION OF <INSERT COMPANY NAME HERE> IS PROHIBITED.

		UNLESS OTHERWISE SPECIFIED:		NAME	DATE	CUSTOM ROTO-MOLDING, INC.
		DIMENSIONS ARE IN INCHES TOLERANCES: FRACTIONAL ± ANGULAR: MACH ± BEND ± TWO PLACE DECIMAL ± THREE PLACE DECIMAL ±		DRAWN	12-02-11	
		INTERPRET GEOMETRIC TOLERANCING PER:		CHECKED		TITLE:
		MATERIAL		ENG APPR.		22 GALLON VERTICAL TANK, FRESH WATER GREEN
		FINISH		MFG APPR.		SIZE
NEXT ASSY	USED ON	DO NOT SCALE DRAWING		Q.A.		DWG. NO.
APPLICATION				COMMENTS:		22 VT FWG
						REV
						SCALE: 1:8
						WEIGHT:
						SHEET 1 OF 1

8 7 6 5 4 3 2 1