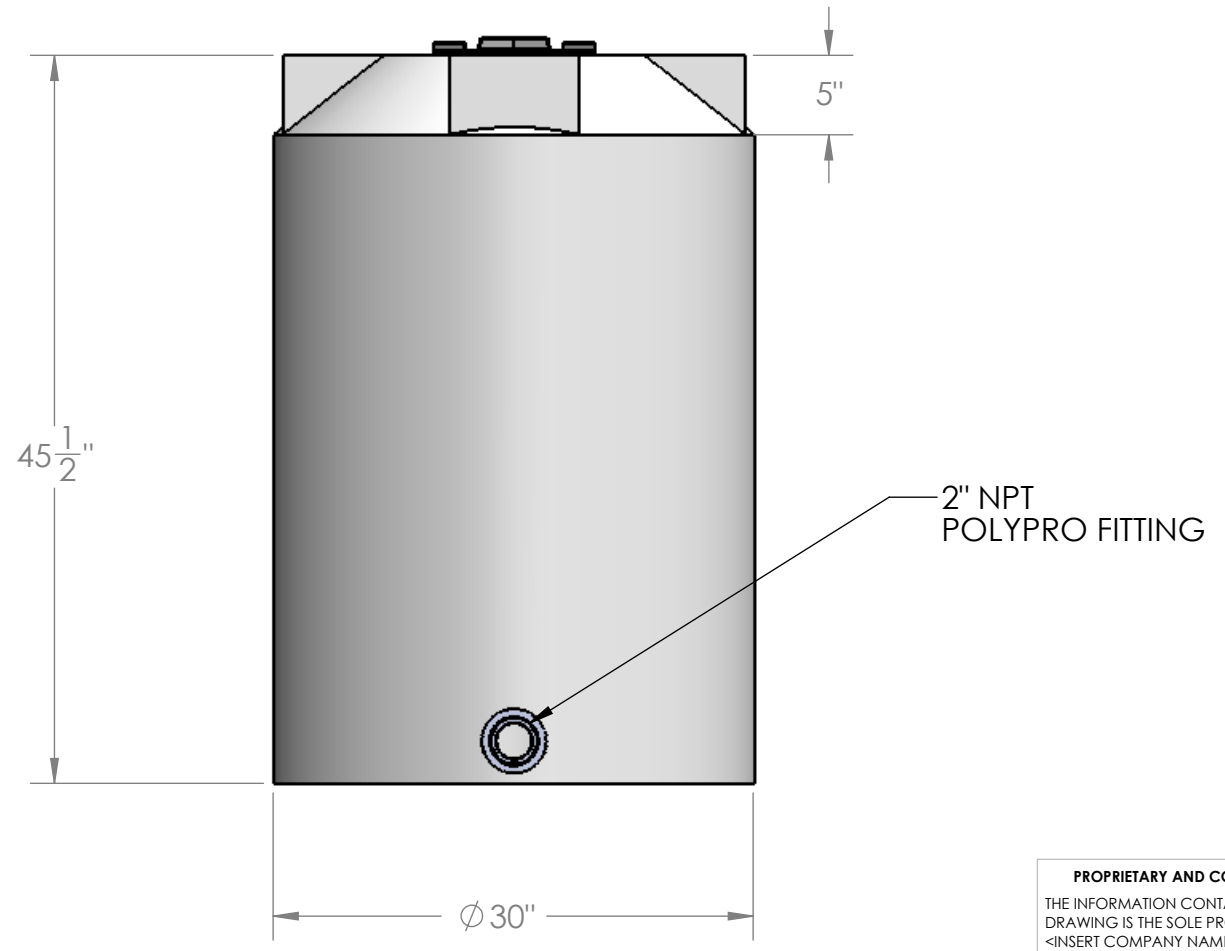
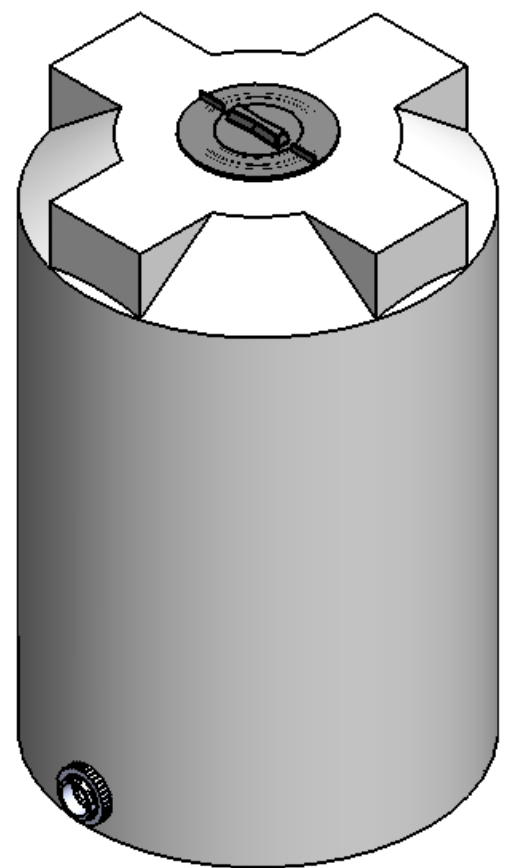
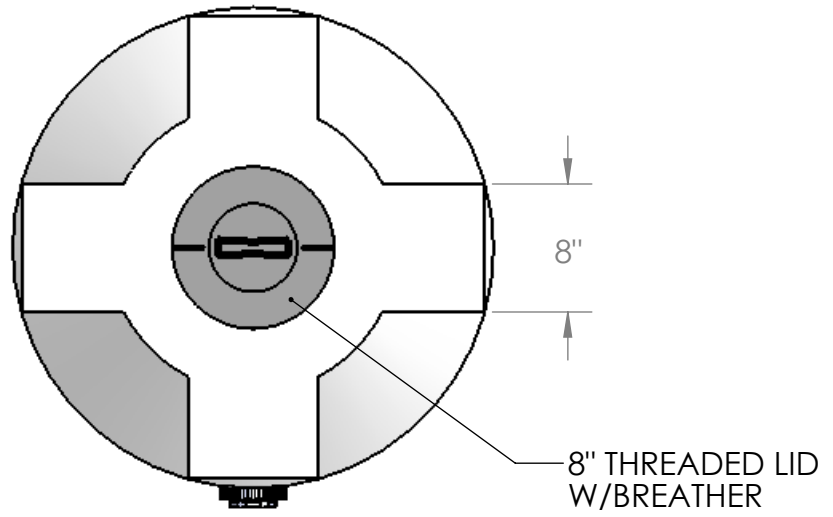


8 7 6 5 4 3 2 1

D  
C  
B  
A

D  
C  
B  
A



- NOTES:
1. MATERIAL: POLYETHYLENE.
  2. WEIGHT: 35 LBS
  3. RATED: 2.0 S.G.

**PROPRIETARY AND CONFIDENTIAL**  
 THE INFORMATION CONTAINED IN THIS  
 DRAWING IS THE SOLE PROPERTY OF  
 <INSERT COMPANY NAME HERE>. ANY  
 REPRODUCTION IN PART OR AS A WHOLE  
 WITHOUT THE WRITTEN PERMISSION OF  
 <INSERT COMPANY NAME HERE> IS  
 PROHIBITED.

		UNLESS OTHERWISE SPECIFIED:		NAME	DATE	CUSTOM ROTO-MOLDING, INC.	
		DIMENSIONS ARE IN INCHES		DRAWN	EBW	08/13/08	TITLE: <b>130 GALLON VERTICAL TANK</b>
		TOLERANCES:		CHECKED			
		FRACTIONAL $\pm$		ENG APPR.			
		ANGULAR: MACH $\pm$ BEND $\pm$		MFG APPR.			
		TWO PLACE DECIMAL $\pm$		Q.A.			SIZE DWG. NO. REV
		THREE PLACE DECIMAL $\pm$		COMMENTS:			<b>B</b> 130 VT
NEXT ASSY	USED ON	FINISH					SCALE: 1:16 WEIGHT: SHEET 1 OF 1
APPLICATION		DO NOT SCALE DRAWING					

8 7 6 5 4 3 2 1