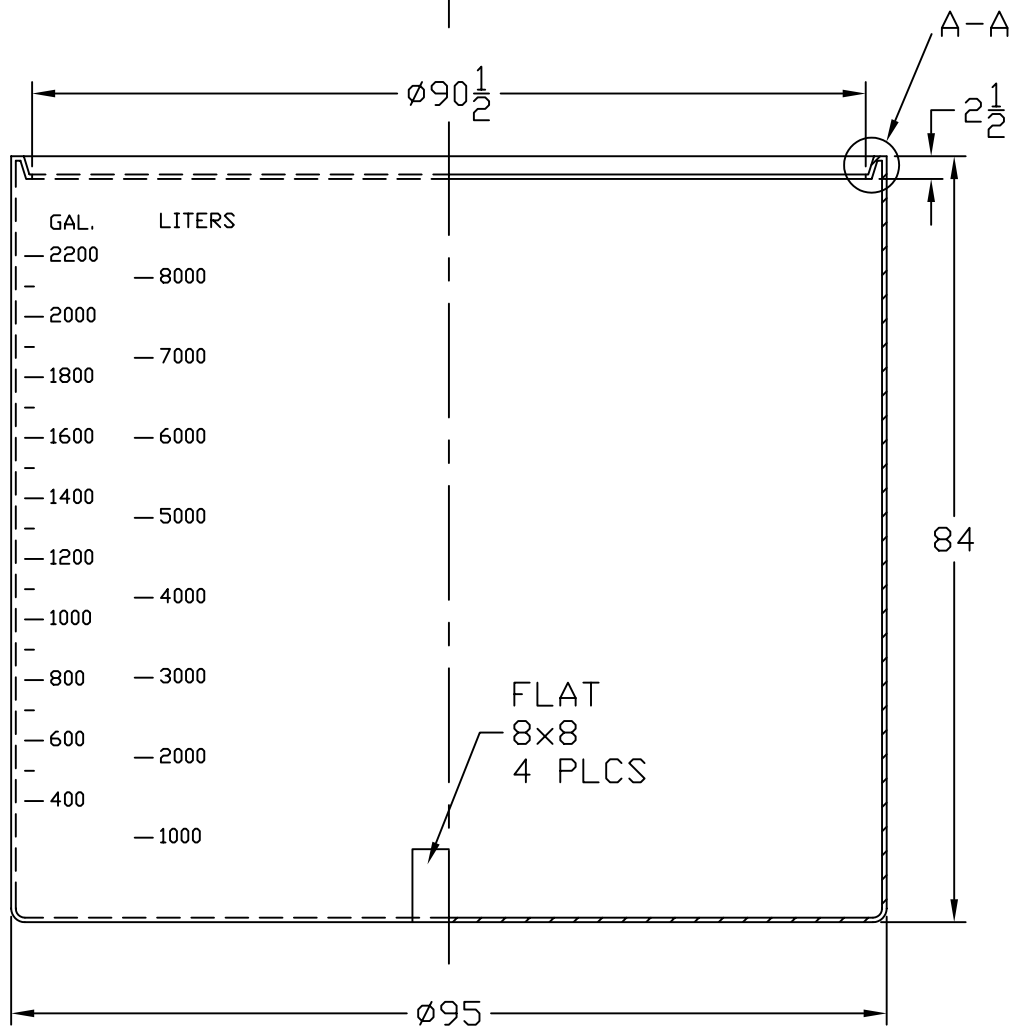
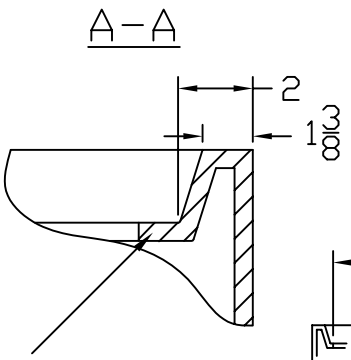
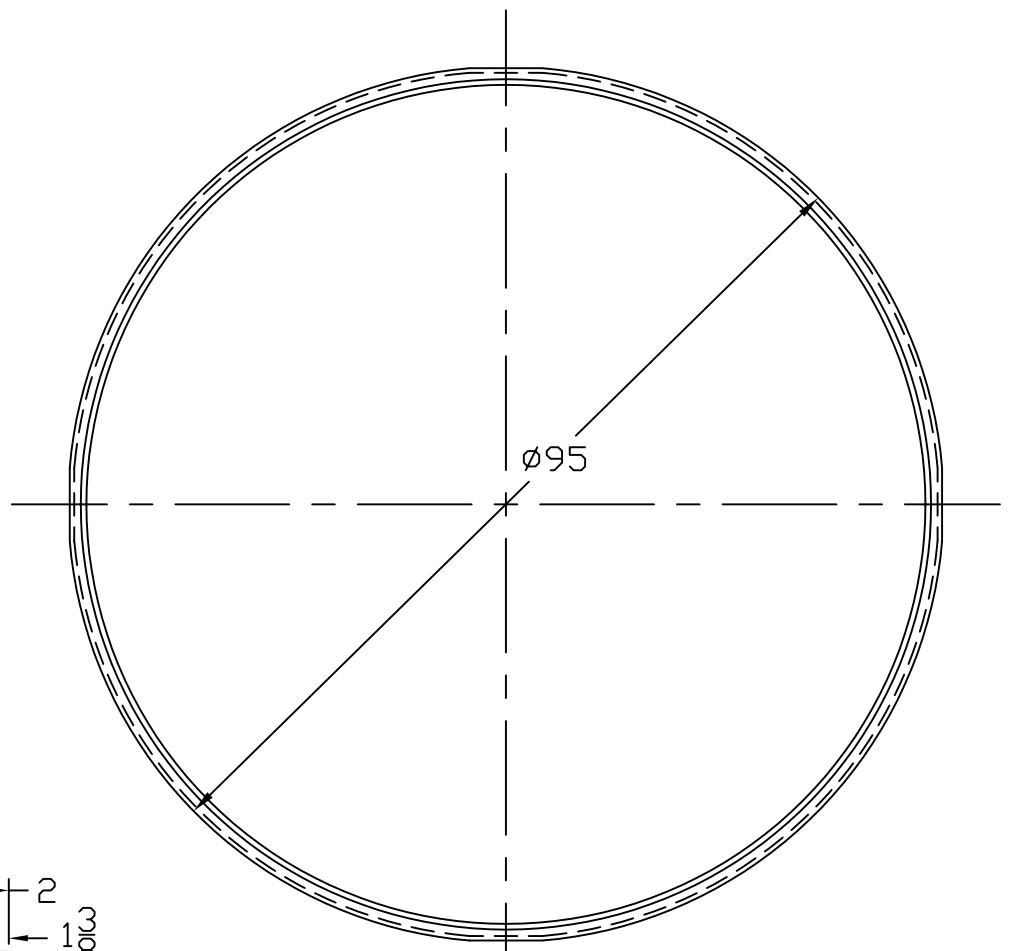


THIS DRAWING & DESIGN IS THE PROPERTY OF CHEM-TAINER INDUSTRIES INC. IT MAY NOT BE USED FOR ANY PURPOSE OTHER THAN BY THE OWNER. CHEM-TAINER DOES NOT AUTHORIZE THE REPRODUCTION OR CONVEYANCE OF ANY INFORMATION CONTAINED HEREIN.



ALL DIMENSIONS SHOWN ARE OUTSIDE PART DIMENSIONS IN INCHES, AND VARY BY THE STANDARD ROTATIONAL MOLDING TOLERANCE OF $\pm 2\%$.

Rev. 0	Date 22/01/01	File Name TK9585-5
CHEM-TAINER		
Industries Inc. 361 Neptune Ave. W. Babylon, NY 11704 (631) 661-8300 Fax: (631) 661-8209		
Part #	Date 22/01/01	Mold Location CA
TC95850A	Drawn By: IIA	Cust. Rep.
TITLE 2450 GAL. CYLINDRICAL CONTAINMENT BASIN		
Dwg. #	TC95850A-CA	