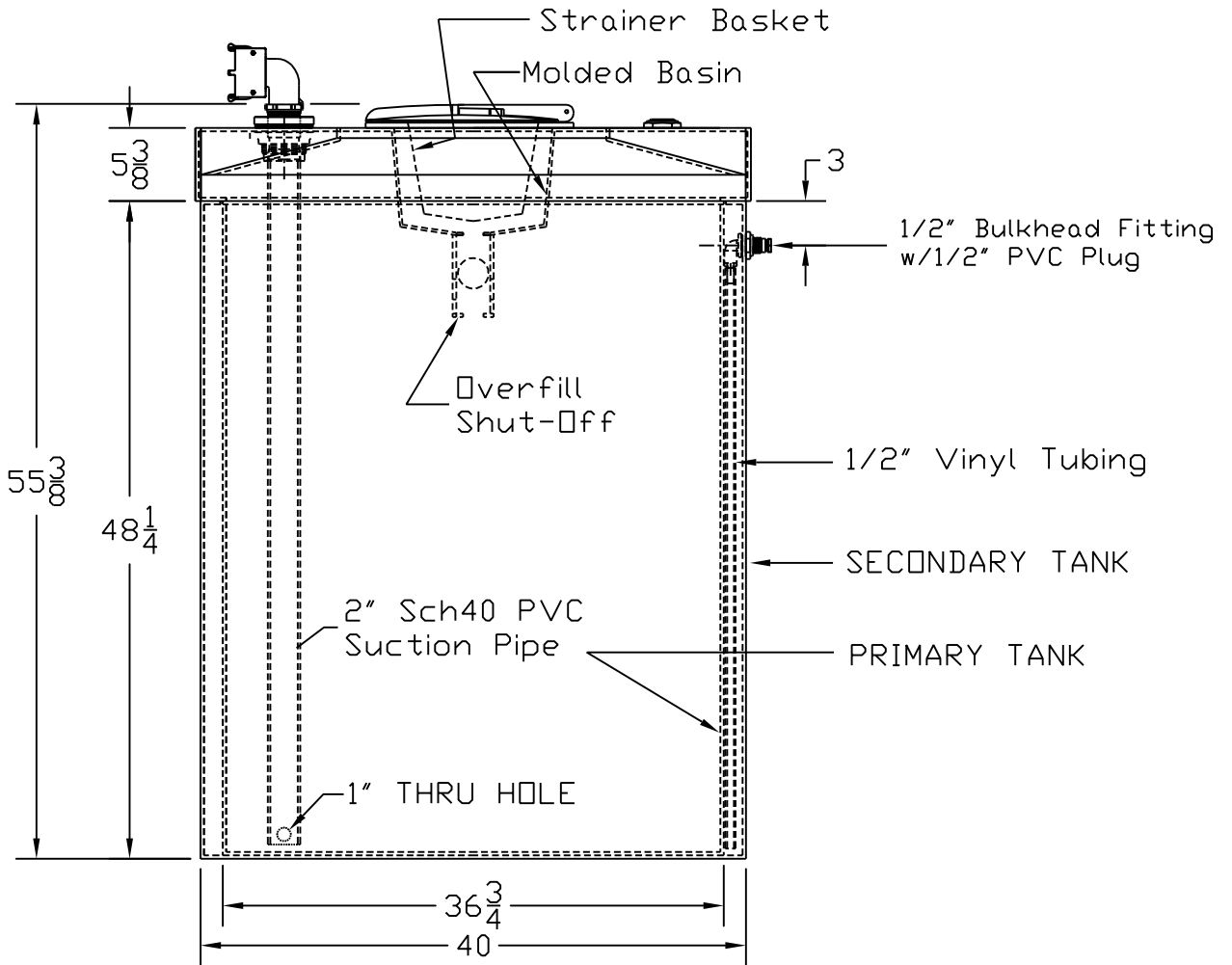
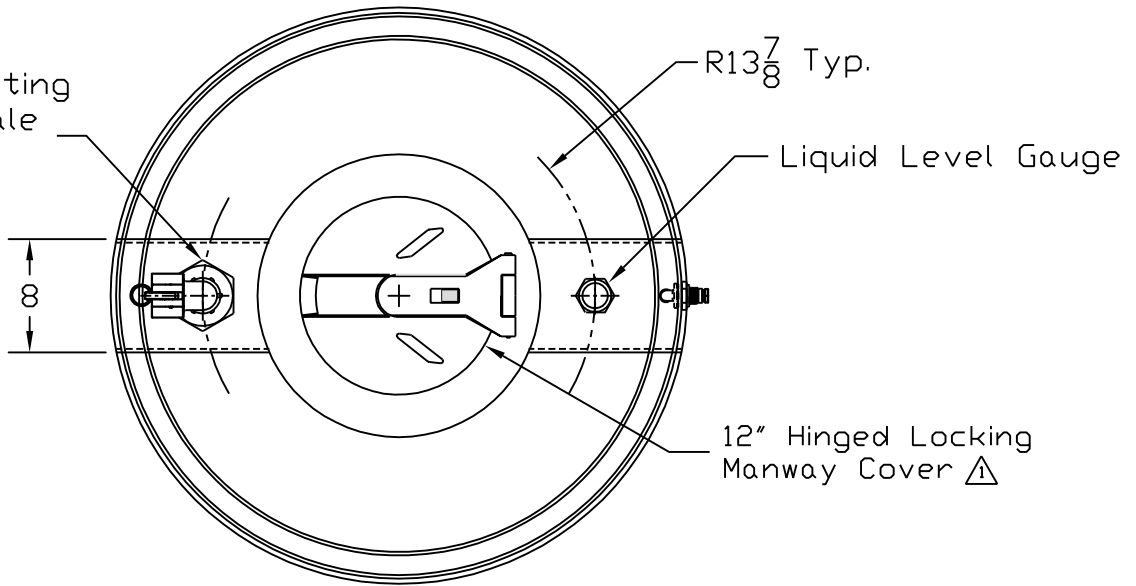


2" Bulkhead Fitting
x/90 Deg. 2" Male
Adapter & Cap



ALL DIMENSIONS SHOWN ARE OUTSIDE PART DIMENSIONS IN INCHES, AND VARY BY THE STANDARD ROTATIONAL MOLDING TOLERANCE OF 2% TO 3%.

THIS DRAWING & DESIGN IS THE PROPERTY OF CHEM-TAINER INDUSTRIES INC. IT MAY NOT BE USED FOR ANY PURPOSE OTHER THAN BY THE OWNER. CHEM-TAINER IND. DOES NOT AUTHORIZE THE REPRODUCTION OR CONVEYANCE OF ANY INFORMATION CONTAINED HEREIN.

Rev.	Date 7/08/2015	File Name	
CHEM-TAINER Industries Inc. 361 Neptune Ave. N. Babylon, NY 11704 (631) 661-8300 Fax (631) 661-8209		Date 09/30/11	Mold Location
		Drawn By: Jim B.	Cust. Rep.
TITLE 200 GALLON OIL-TAINER VESSEL			
Part # TC4153DC		Dwg. # TC4153DC A01	